

DOOR DETECTIVE[®] COMPACT

Intelligent Door Security

Door Detective Compact is a doorway-mounted tailgate detection and direction control system that further secures an access-controlled door.

Secure door challenge

Few people are comfortable shutting the door on people following behind them, yet employees and tenants are burdened with that decision every day. Door Detective places security enforcement back where it belongs – with your access control system and security personnel. It's like having a guard at any door.

Advanced intelligence

Door Detective utilizes a network of beam paths to make intelligent alarm decisions about traffic through an open door. Real-time annunciation aids access control anti-passback policy enforcement – allowing event alarms to be activated upon unauthorized entry, rather than exit.

Operation

Door Detective better protects employees and valuable assets by enhancing the security of any access-controlled door and maximizing the security investment.

When access is granted, one person can pass through the doorway in the approved direction without alarm. Door Detective monitors how many people pass and in which direction for each valid authorization, and sounds an alarm if there is a violation.

An optional secondary relay can also activate subsequent actions such as triggering CCTV or locking doors. Door Detective should be considered for any interior area where an intruder could slip through unnoticed.

User-friendly and safe

Door Detective adds security, not hassle:

- Employees and authorized guests pass through Door Detective enclosures with speed and confidence
- Enables passage in the approved direction, whether the door is open or closed
- Authorization buffering allows the door to remain open between users entering or exiting – creating a seamless user experience



High Security

Class leading infrared detection systems

- Visual and audible deterrent
- Detects and deters tailgaters in very close proximity

Pinpoint Accuracy

Accurately assesses traffic through the door

- Provides instant feedback of traffic flow and incidents
- Differentiates body mass from smaller objects

Features

Quick and safe operation

- Head unit can be angled at 90 degrees to aid installation
- High processing speed reduces traffic build-up
- Quick user acceptance

Superior Design

Inspired, elegant design

- Seamlessly interacts to secure an open door
- Helps provide secure and welcome entry

Field proven Reliability

Uptime and long lifetime improve bottom line

- Quality build lowers whole life costs
- Fewer failures mean lower repair costs

DOOR DETECTIVE COMPACT

Applications

Common applications include: R&D laboratories, casinos, fitness centers, office buildings (data centers, records storage, other restricted areas), and airports (employee areas, cargo and baggage areas).

Visitor management

Door Detective features a visitor management input. When activated by security personnel this allows an individual or group to pass through the doorway, after which the system returns to its secure state.

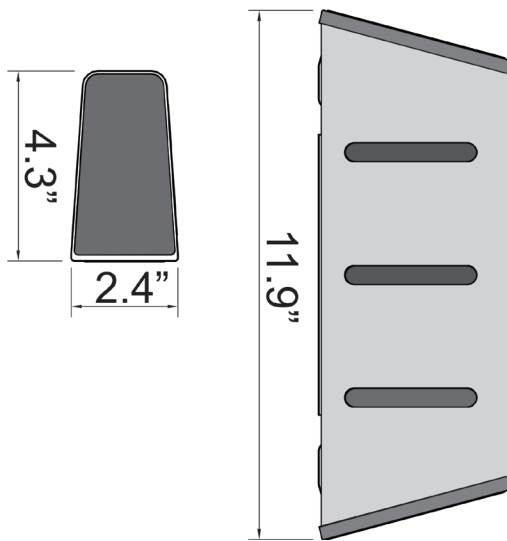
Disabled access

Door Detective does not obstruct the doorway, insuring compliance with ADA and most international standards.

DETAILS

DOOR DETECTIVE COMPACT DIMENSIONS

Please see the Door Detective Compact Drawing Pack for additional details.



DOOR DETECTIVE COMPACT TECHNICAL SPECIFICATIONS

Enclosure dimensions Compact Model <ul style="list-style-type: none"> Height: 11.9" (302 mm) Width: 2.4" (61 mm) Depth: 4.3" (109 mm) 	Distance between units <ul style="list-style-type: none"> 88.6" (2,250 mm) max <p>Note: Install to ensure single file entry</p>	Inputs from Access Control <ul style="list-style-type: none"> Entry request (normally open closing for 1 second) Exit request (normally open, closing for 1 second) Visitor access in & out (normally open momentary closing contact) Door Sensor
CPU enclosure (external) <ul style="list-style-type: none"> Height: 7.0" (180 mm) Width: 2.3" (60 mm) Depth: 5.1" (130 mm) 	Operating modes <ul style="list-style-type: none"> Card in/free exit Free entry/card out Free entry/no exit Free exit/no entry Card In/card out 	Outputs to Access System <ul style="list-style-type: none"> Entry Monitor (normally closed opening for 1 second) Exit Monitor (normally closed opening for 1 second) Alarm 1 (normally closed opening for 1 second) Alarm 12 (normally closed opening for 1 second)
Casings <ul style="list-style-type: none"> Head units: stainless steel, ABS plastic end caps CPU: ABS plastic end caps 	Power requirements <ul style="list-style-type: none"> Input: 100 to 240 V AC @ 0.4 A Output: 12 V DC @ 1.25 A max 2-conductor 22 awg 9.8 ft (3 m) 	Display <ul style="list-style-type: none"> Multiple, multi-color LEDs for status and fault finding
Cables <ul style="list-style-type: none"> Head units to CPU: Cat 5 cable, RJ45 connectors. 82 ft (25 m) per head unit 	<ul style="list-style-type: none"> Interface cables to access control panel and door: 2-conductor 22 awg 65.6 ft (20 m) 	<ul style="list-style-type: none"> CPU to touchscreen (optional): 2-conductor and ground shield 65.6 ft (20 m)
Audible indicators <ul style="list-style-type: none"> Multiple single-tone sounders for status and alarms 	Visual Indicators <ul style="list-style-type: none"> 8 pulsed multi-infrared beams, synchronized for detection Environmentally hardened to avoid sunlight interference 	Environmental <ul style="list-style-type: none"> Temperature: 32 F (0 C) to 122 F (50 C) Humidity: 5-95% relative

* Due to continuous improvements, specifications are subject to change without prior notice.



reconasense.com | +1 512.220.2010
insider@reconasense.com

Manufactured by Integrated Design Limited. Door Detective is a registered trademark of IDL, 1995.



©2022 ReconaSense. ReconaSense is a registered trademark of Tranquility Ventures, Inc. All other trademarks are the property of their respective owners.



ReconaSense is an American company headquartered in Austin, Texas.